

Product availability : Stock - Normally stocked in distribution facility



## Commercial status

To be discontinued on: 31 December 2022

To be end-of-service on: 31 December 2030

⚠ To be discontinued

### Main

Range of product	Modicon Quantum automation platform
Product or component type	Dc discrete output module
Discrete output number	32

### Complementary

Group of channels	4 groups of 8
Discrete output logic	Positive logic (source)
Addressing requirement	2 output words
Discrete output voltage	24 V DC
Output voltage limits	19.2...30 V
Absolute maximum output	56 V 1.3 s decaying pulse
Maximum voltage drop	<0.4 V 0.5 A
Maximum load current	16 A per module 4 A per group
Surge current	5 A 0.0005 s
Response time	<= 1 ms at state 0 to state 1 <= 1 ms at state 1 to state 0
Maximum leakage current	0.4 mA 30 V
Load inductance	$\text{Inductance(H)} = 0.5 / ((\text{current(A)})^2 \times (\text{switching frequency(Hz)}))$ 50 Hz
Fault indication	Blown fuse Loss of field power
Associated fuse rating	3 A each point 5 A per group
Isolation between channels and bus	1780 Vrms DC for 1 minute
Isolation between group	500 Vrms DC for 1 minute
Protection type	Internal output protection by 5 A fuse per group
Power dissipation	1.75 W + (0.4 V x total module load current)

Disclaimer: This documentation is not intended as a substitute for and is not to be used for determining suitability or reliability of these products for specific user applications.

Marking	CE
Local signalling	for bus communication is present (Active) 1 LED (green) for external fault detected (F) 1 LED (red) for input status 32 LEDs (green)
Bus current requirement	330 mA
Module format	Standard
Net Weight	0.99 lb(US) (0.45 kg)

## Environment

Product certifications	GOST BV RMRS ABS DNV GL RINA C-tick FM Class 1 Division 2 Safety certification non interfering
Standards	UL 508 CSA C22.2 No 142
Resistance to electrostatic discharge	4 kV contact IEC 801-2 8 kV on air IEC 801-2
Resistance to electromagnetic fields	9.14 V/m (10 V/m) 80...2000 MHz IEC 801-3
Ambient air temperature for operation	32...140 °F (0...60 °C)
Ambient air temperature for storage	-40...185 °F (-40...85 °C)
Relative humidity	95 % without condensation
Operating altitude	<= 16404.2 ft (5000 m)

## Ordering and shipping details

Category	18155 - QUANTUM I/O & POWER SUPPLIES
Discount Schedule	PC21
GTIN	00785901794578
Nbr. of units in pkg.	1
Package weight(Lbs)	0.93 lb(US) (0.42 kg)
Returnability	Yes
Country of origin	CN

## Packing Units

Unit Type of Package 1	PCE
Package 1 Height	1.97 in (5 cm)
Package 1 width	6.50 in (16.5 cm)
Package 1 Length	12.20 in (31 cm)
Unit Type of Package 2	S03
Number of Units in Package 2	7
Package 2 Weight	6.90 lb(US) (3.129 kg)
Package 2 Height	11.81 in (30 cm)
Package 2 width	11.81 in (30 cm)
Package 2 Length	15.75 in (40 cm)
Unit Type of Package 3	P12
Number of Units in Package 3	56
Package 3 Weight	78.44 lb(US) (35.58 kg)

## Offer Sustainability

Sustainable offer status	Green Premium product
--------------------------	-----------------------

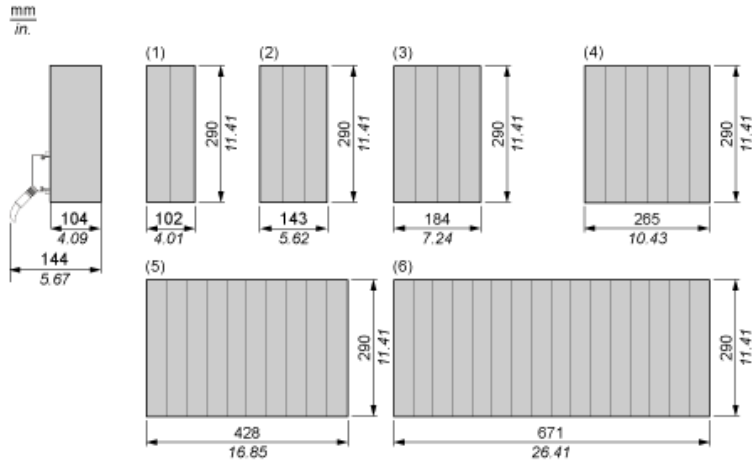
California proposition 65	WARNING: This product can expose you to chemicals including: Lead and lead compounds, which is known to the State of California to cause cancer and birth defects or other reproductive harm. For more information go to <a href="http://www.P65Warnings.ca.gov">www.P65Warnings.ca.gov</a>
REACH Regulation	<a href="#">REACH Declaration</a>
REACH free of SVHC	Yes
EU RoHS Directive	Pro-active compliance (Product out of EU RoHS legal scope) <a href="#">EU RoHS Declaration</a>
Mercury free	Yes
RoHS exemption information	<a href="#">Yes</a>
China RoHS Regulation	<a href="#">China RoHS declaration</a>
Environmental Disclosure	<a href="#">Product Environmental Profile</a>
Circularity Profile	<a href="#">End of Life Information</a>
WEEE	The product must be disposed on European Union markets following specific waste collection and never end up in rubbish bins.

### Contractual warranty

Warranty	18 months
----------	-----------

Racks for Modules Mounting

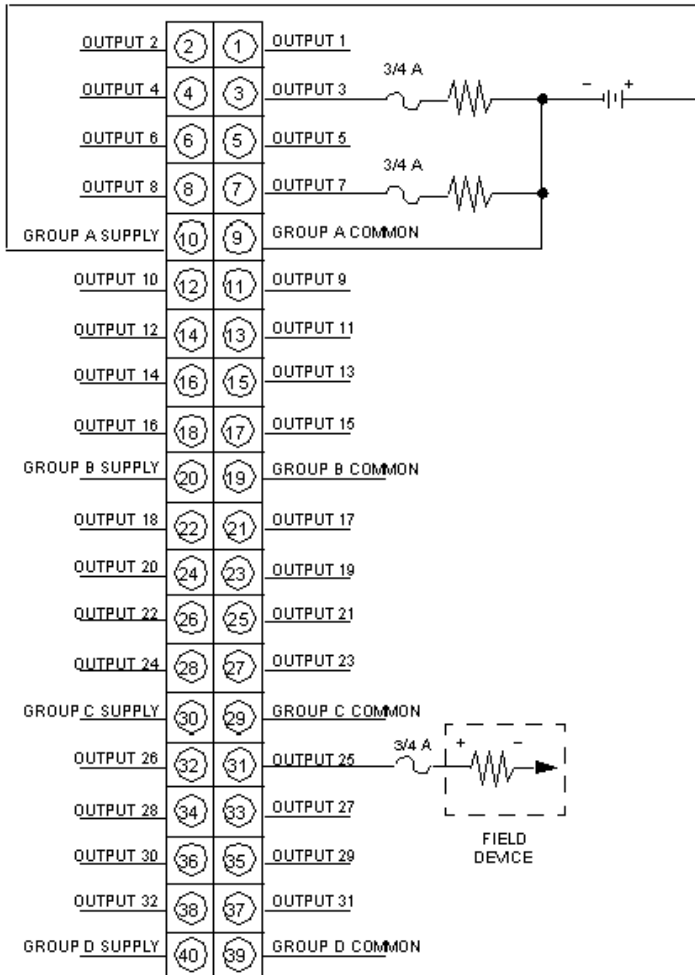
Dimensions of Modules and Racks



- (1) 2 slots
- (2) 3 slots
- (3) 4 slots
- (4) 6 slots
- (5) 10 slots
- (6) 16 slots

24 Vdc Discrete Output Source Module

Wiring Diagram



140DDO35300 may be replaced by any of the following products:



I/O modules BMXDDO3202K

discrete output module X80 - 32 outputs - solid state - 24 V DC positive

Qty 1

Linking to group 1



## I/O modules BMXDDO3202K

discrete output module X80 - 32 outputs - solid state - 24 V DC positive

Qty 1

Replacement product is not a drop in replacement, contact local sales team for more information

---